



# TL2

TL Series  
Robotic  
Case Packer

---

## Simple. Flexible. Affordable.

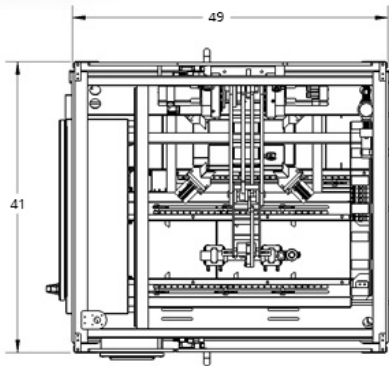
The compact, low-cost TL2 is a robotic top loading case packer that picks products from a conveyor and loads them into cartons, cases or flighted infeeds.

This simple-yet-effective machine easily integrates into your existing line and is easy to maintain and keep running. Most importantly, its installed cost is low, giving it a high return on investment. Our target is for the TL2 to pay for itself in one year or less.

*Automate your line, simply.*

[www.rpmpack.com](http://www.rpmpack.com)




**TL2**

**FEATURES**

- Product infeed accepts randomly spaced products and pneumatically gates them for picking
- Proprietary RPM-designed two-axis robot with a 20-pound payload
- Tool-less changeover in a matter of minutes
- Rockwell machine and robot control. No additional robot controller
- Carton/Case/Tray management system is designed to accept all types of cardboard containers
- Cantilevered design allows the TL2 to be incorporated into existing packaging lines without modifying conveyors

**TECHNICAL SPECIFICATIONS**
**Specifications**

Small footprint (41" x 49")

Up to 200 products per minute production

Up to 40 cases or cartons loaded per minute

**Options**

Power options: 230V or 480V

Washdown, stainless construction available

Regenerative blower vacuum system

Many different infeed variations based on product type

Case flap opening system

**Loading Options**


Top load cartons – accepts randomly spaced cartons and positions them for loading



Top load RSC cases or trays – accepts randomly spaced cases and positions them for loading



Third Party Infeeds – Loads products into the stationary or moving flights of a wrapper, endload cartoner, or other equipment



1 (800) 488-4212  
1 (512) 477-1101



[www.rpmpack.com](http://www.rpmpack.com)



[info@rpmpack.com](mailto:info@rpmpack.com)